

In-Ex

IN-EX™ SPRAY BOOMS

In-Ex™
P O Box 1010, 145 Harts Road
Palmerston North
Ph: 06 3546060
Fax: 06 3553199

2M Part Number 1034

3M Part Number 1035

(Leaflet Pt.No.2400-0920 Issue 3 Dated Dec 2010)

Safe Operating Instructions

An important message for owners and operators of In-Ex attachments/accessories.

Your safety is In-Ex's primary concern. It is important that you understand that any loads or attachments whether fastened to or placed on a vehicle or ATV will alter the stability and handling characteristics of that vehicle or ATV.

We take this opportunity to remind you about the simple, basic and common sense rules of safety when using spray tanks or other equipment. **NEVER EXCEED THE LOAD LIMIT CAPACITY OF THE ATV OR OTHER VEHICLE.** Spray tanks or other equipment must be filled to a level where the gross weight is within the load limit of the ATV or other vehicle.

EXERCISE EXTREME CAUTION WHEN OPERATING ON HILLY OR UNDULATING TERRAIN. PLEASE BE CAREFUL!

Failure to follow these rules can result to severe injury or death to operators or bystanders.

Warranty

The period of Warranty on all products shall be 6 months from the date of sale. The terms of warranty cover defective workmanship or materials. In the event there is any need to make a claim, the goods shall be returned to In-Ex, in original condition, for inspection. The customer shall be responsible for the cost of returning the product. Should the problem be a legitimate claim, the product will be repaired and returned freight free. In-Ex will have sole discretion to repair or replace the goods.

Any warranty may be voided by damage to or misuse of the equipment, negligent installation or operation, cleaning or maintenance, unauthorised repairs, modifications or the addition of incompatible accessories. The maximum liability, which is accepted by In-Ex™, is limited to replacement of faulty goods only. Every care has been taken in the manufacture of our goods but because use of the goods is outside the control of the manufacturer, the end user assumes all responsibility for the use. In-Ex™ shall not be liable for loss or damage resulting from use.

Any advice or recommendations given by In-Ex™, its representatives, or employees is given in good faith and based on the best information available to us. No liability or responsibility is accepted or implied as a result of any information or advice tendered by In-Ex™, its representatives, or employees. The end user accepts all responsibility arising from that advice.

Description

The In-Ex™ Spray boom range is a light robust range of pressure nozzle booms with models of 2, 3, and 5 metre spray width which can be securely attached to and quickly removed from ATV carrier frames using the supplied mounting bracket.

Boom Mounting (All models)

Mount the boom attachment brackets loosely to the boom using the M8 screws and nyloc nuts in one of the two mounting holes that best suit the ATV carrier.

5M boom, mount between the lugs on the mounting bracket. 2&3M booms, mount above or below the lug on the mounting bracket.

Fit the boom to the ATV carrier upstand rails and place the two M6 screws and nyloc nuts through the holes in the mounting brackets to secure the boom to the carrier.

Tighten all fasteners to secure boom to ATV.

Hose Connection

The In-Ex™ booms require a connection to the sprayer delivery line.

Cut the sprayer delivery line from the pump in an easily accessible position, and install the quick release valve with the 10mm hose shank (for sprayers with a pressure regulator, connect to the delivery hose from the regulator).

Connect the boom delivery hose to the male quick release connector with the 10mm hose shank.

Connect the second male quick release connector with the 10mm hose shank to the remainder of the sprayer delivery line for use when handgun spraying. Secure with the hose clamps provided.

Operation

Place water in the tank, switch the pump on and allow air to be expelled from boom. Ensure all hose connections are secure, and nozzles are spraying evenly.

Calibration

You will need to calibrate your pressure nozzle boom sprayer to ensure the accurate application of chemical, or liquid fertiliser. To calibrate your sprayer you will need:

- nozzle calibrator or an accurate measuring flask.
- watch or clock with seconds, or a stopwatch.
- tape measure.
- calculator.

Metric Version (litres, metres, kph)

1. Measure time taken to travel 100m at the speed used for spraying.

NOTE:- Maximum Recommended Spraying Speed is 12 Kph.

2. Run Sprayer and record output from each nozzle (in mls) for the same time it took to travel 100m. Calculate average flow per nozzle.

ie. Add individual nozzle output and divide by number of nozzles.

NOTE:- Check any nozzle tip that is out by $\pm 5\%$

Discard any nozzle tip that is out by $\pm 10\%$

3. Litres/ha =

$$\frac{\text{Average Nozzle output (ml/nozzle)} \times 100}{1000 \text{ (nozzle spacing mm)}}$$

4. Chemical to add to tank

Litres of Chemical =

Water in Tank (L) x Label chemical rate/ha
L/ha (application Rate)

Maintenance

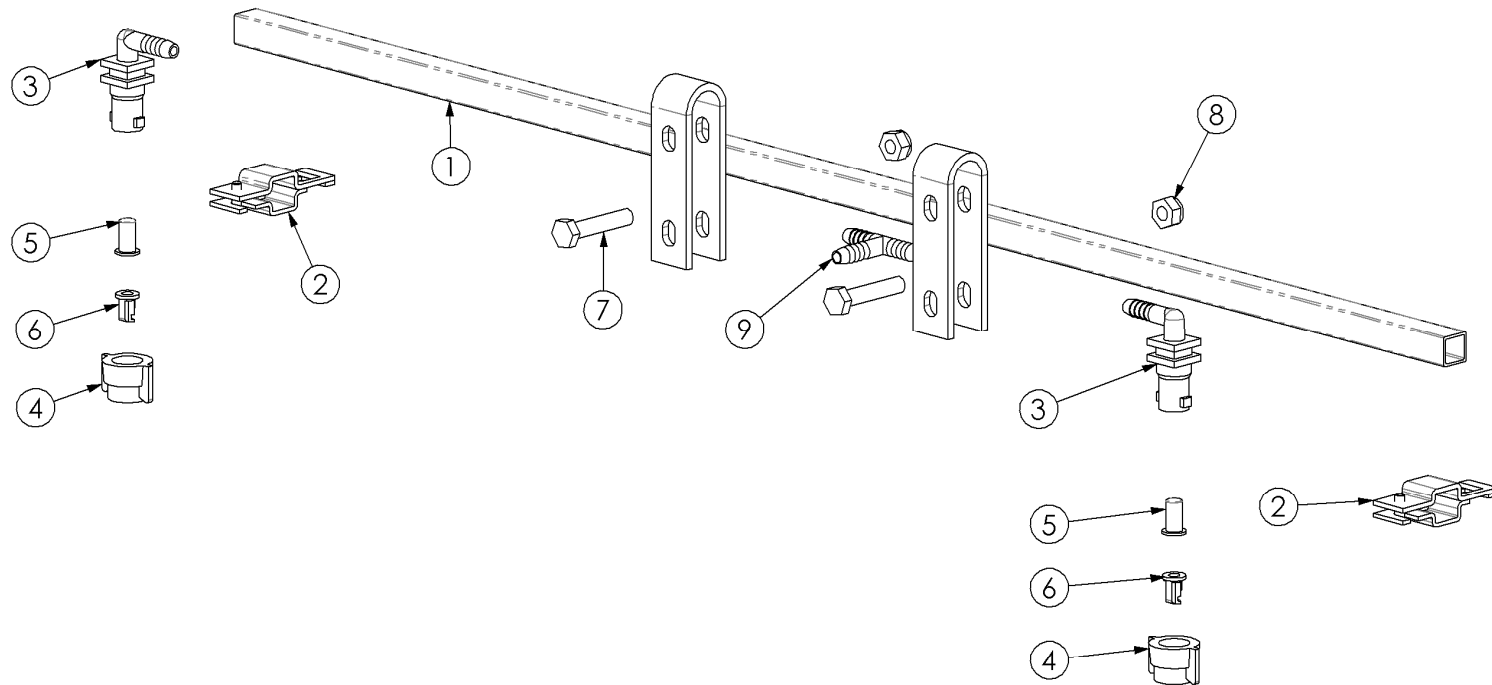
Flush out spray lines and nozzles after use with clean water.

Remove nozzle tips and clean check valve strainers after use.

Inspect nozzle tips after use for damage or wear, replace as required.

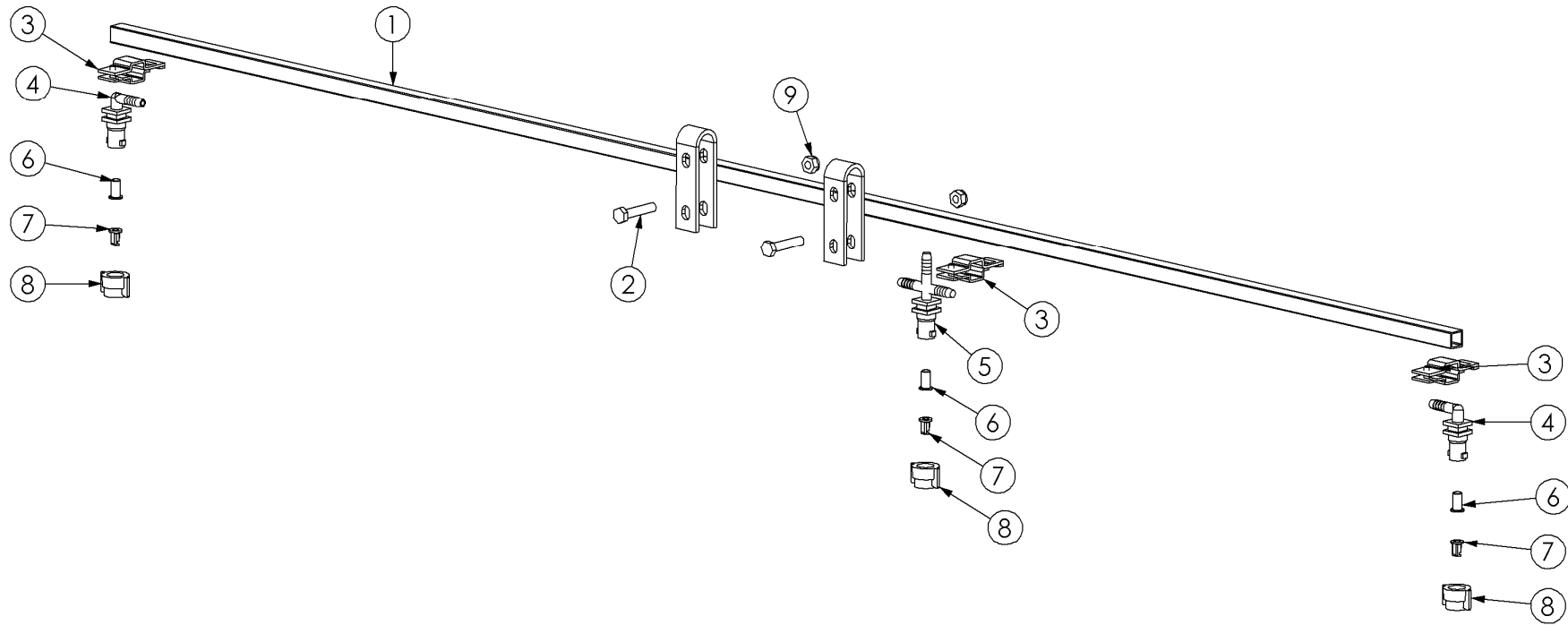
Apply grease to breakaway joints (5M model only) as required.

2M Boom Parts Diagram



Item No.	QTY.	e9 part no	e9 description
1	1	1900-4302	Centre-Boom-In-Ex 2m-ZP
2	2	2010-5301	Clamp-Nozzle Body-Boom-3/4"x3/4"-Varispace-Set
3	2	5300-2200	Nozzle Body-Teejet-Dry Boom-1 Way-Elbow-Shank 10mm-Black-Nylon
4	2	5300-2800	Nozzle Cap-Cone-QC-Red
5	2	3400-5410	Filter-Nozzle-Tip-Incl Check Valve-50Mesh-5PSI-SS Ball-Plastic
6	2	5300-5700	Nozzle-Tip-Deflector-DEF05-Single
7	2	3290-1050	Fastener-Set Screw-Hex-8.8 Grade-M10x50-ZP
8	2	3170-0010	Fastener-Nut-Nyloc-M10-ZP
9	1	6200-9140	Pipe-Fitting-Tee-10 Shankx10 Shankx10 Shank-Plastic

3m Boom Parts Diagram



Item No.	QTY.	e9 part no	e9 description
1	1	1900-4302	Centre-Boom-In-Ex 2m-ZP
2	2	3290-1050	Fastener-Set Screw-Hex-8.8 Grade-M10x50-ZP
3	3	2010-5301	Clamp-Nozzle Body-Boom-3/4"x3/4"-Varispace-Set
4	2	5300-2200	Nozzle Body-Teejet-Dry Boom-1 Way-Elbow-Shank 10mm-Black-Nylon
5	1	5300-2100	Nozzle Body-Teejet-Dry Boom-3 Way-Shank10x10x10-Black-Nylon
6	3	3400-5410	Filter-Nozzle-Tip-Incl Check Valve-50Mesh-5PSI-SS Ball-Plastic
7	3	5300-5700	Nozzle-Tip-Deflector-DEF05-Single
8	3	5300-2800	Nozzle Cap-Cone-QC-Red
9	2	3170-0010	Fastener-Nut-Nyloc-M10-ZP