

Sprayer 50 Pt.No 1025 / 1080

(Leaflet 2400-1400 Issue 2, dated 02 Dec 2010)

DESCRIPTION

The In-Ex SPRAYER 50 is an entry-level spot sprayer which can be used in a variety of applications. It is especially suitable for use with small vehicles or anywhere where there is a flat surface to attach it to and a source of 12VDC power. The Sprayer 50 is supplied ready to use and includes a sturdy tie down strap and 1.5 metre power cable.

1025 (pump size 3.8Lpm)

1080 (pump size 7.6Lpm)

CONTENTS

Part No.	Description	Quantity
N/A	Tank assembly complete with; lid, pump, suction filter, spray gun and hose.	1
8410-8450	Strap-Ratchet	1
1500-3700	Cable ASY-Battery-2.2M	1

INSTALLATION

Place the Sprayer 50 on the vehicle with the switch facing the operator. Secure the tank in place using the ratchet strap. On ATV carriers the long strap should be hooked onto the carrier frame and looped over the tank at the lid end. The short strap with the ratchet is similarly placed at the opposite end. The long strap is then run under the carrier frame and connected with the ratchet so that the ratchet is on top of the tank. Pull the strap tight and apply tension using the ratchet. Connect the cable assembly to the male connector on the pump then attach to the vehicle battery ensuring that the red wire is connected to the positive terminal.

OPERATING INSTRUCTIONS

Place fluid in the tank then turn the switch on. The pump will run. Place the end of the spray gun in the tank and press the trigger until all of the air has been expelled from the hose. The pump will stop running when the trigger is released.

Operate the spray gun and adjust the tip until the pump runs smoothly and the desired spray pattern is obtained.

MAINTENANCE

Cleaning Tank and Spray Gun

When spraying is finished rinse the tank with clean water and pump the contents out through the spray gun. A triple rinse is recommended. The tank may also be drained by removing the drain plug at the lid end.

Filter Maintenance

After each use or when the tank has been emptied (whichever comes first) it is recommended that the suction filter located under the white nut at the tank outlet be removed and cleaned.

Pressure Switch Adjustments

Adjustment should not be necessary under normal operating conditions. Increasing the pressure setting will not increase pump flow but may reduce pump life. To adjust the switch, remove the cover from the end of the pump beneath the power switch and rotate the adjustment screw. Replace the cover after adjustment.

TROUBLE SHOOTING

Pump will not prime

- Check that the suction filter nut is tight.
- Operate the spray gun to release air from the pump.
- Check that the suction filter is not blocked.

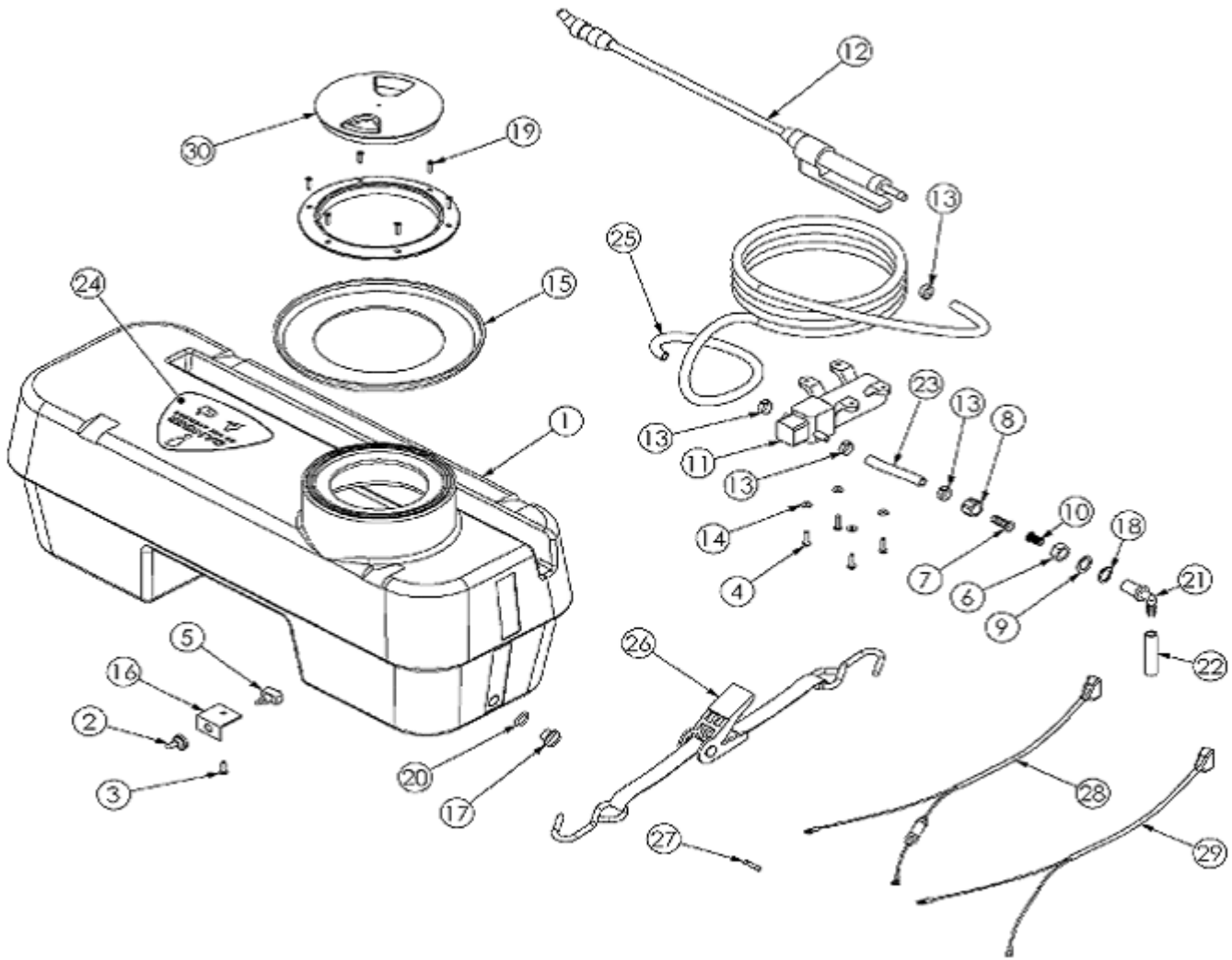
Pump pulses

- Adjust the spray tip to increase pump flow.
- Adjust pump switch off pressure.

Pump will not run

- Check electrical connections and fuse.

EXPLODED PARTS DIAGRAM



Item No	QTY	Part No	Description	Item No	QTY	Part No	Description
1	1	7500-3550	Quadmate tank 50L natural	15	1	7500-1760	Flange-50L-Red
2	1	2250-8200	Boot-Toggle Lever-Rubber	16	1	1300-7200	Bracket-Quadmate-Switch
3	1	3110-0516	Screw-Pan-M5x16-Pozi-ZP	17	1	6200-6260	Drain plug 3/8BSP
4	4	3110-0520	Screw-Pan-M5x20-Pozi-ZP	18	1	3700-9130	Gasket- 17x23x2-Rubber
5	1	8450-2410	Toggle switch	19	6	3070-0300	Screw-CSK-8Gx3/4-Pozi-SS
6	1	6200-5420	Nut-Back-11/16UNFM-Plastic	20	1	5450-2220	O'Ring-Imperial-1/8"x5/8"-N70
7	1	6200-8220	Straight-10mm-Shank-Swivel	21	1	6200-9400	Elbow-10mm Shankx11/16UNF
8	1	6200-5550	Nut-Swivel-11/16UNFF-Plastic	22	1	8840-8410	Tube-Transluscent-10MM-100PSI
9	1	3700-9150	Gasket-Washer-25x17.4x1.4	23	1	4100-0008	Hose 8.5mm
10	1	3400-5400	Filter-Nozzle Tip-50 Mesh	25	1	4100-0008	Delivery hose 8.5mm
11A	1	6800-4000	Pump -12 Volt-3.8LPM	26	1	8410-8450	Strap-Tie Down-Ratchet
11B	1	6800-5000	Pump -12 Volt-7.6LPM	27	1	3600-1010	Fuse 15Amp
12	1	4000-6020	Gun- Trigger Jet	28	1	1500-3700	Battery cable
13	4	2000-2014	Clamp-14.5<->7.0mm-S/S	29	1	1500-6500	Quadmate pump cable
14	4	3310-6005	Washer-Flat-M5-ZP	30	1	8427-6000	Lid asy

FLOJET SPRAY PUMP RELACEMENT PARTS

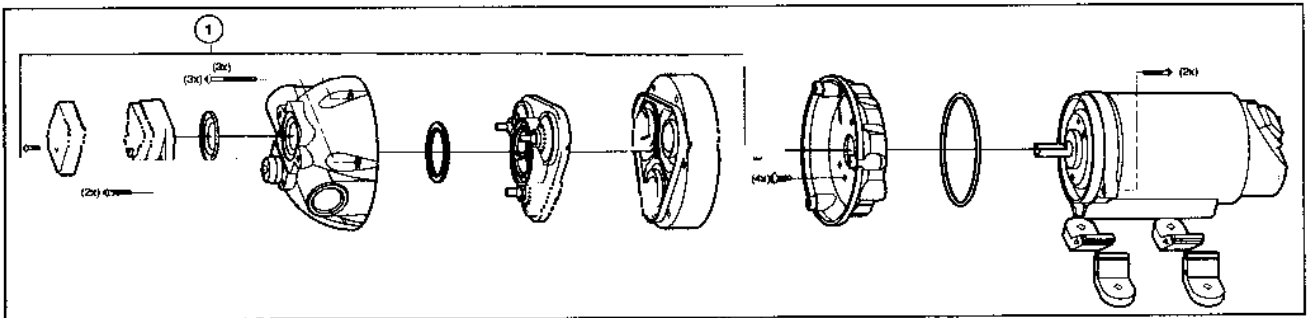
The following replacement parts available for the 12V Flojet 3.8 L/Min pump are available from any C-Dax dealer:



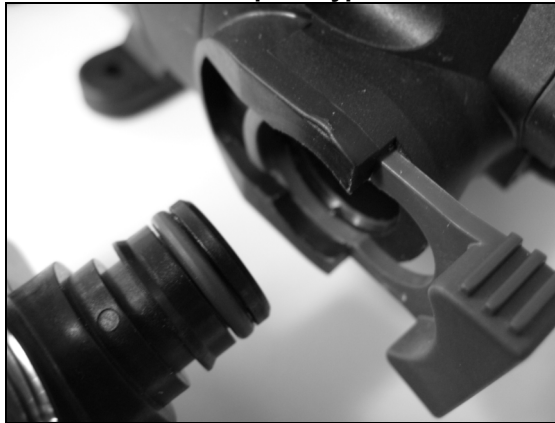
ITEM	PART NO.	DESCRIPTION
1	6800-4040	Pressure Switch Kit
2	6800-4030	Pumphead Kit (includes pressure switch)
3	6800-4020	Motor Kit
	6800-4000	Replacement Pump

FLOJET SPRAY PUMP RELACEMENT PARTS

The following replacement parts for the 12V Flojet 7.6 L/Min pump are available from any C-Dax dealer:



Quadport Type:



ITEM	PART NO.	DESCRIPTION
1	6800-5160	Pumphead Kit (includes pressure switch) <u>To Suit Quadport Type</u>
	6800-5000	Replacement Pump <u>Quadport Type</u>