

In-Ex

OWNER'S MANUAL
FOR THE



Spreader 165

In-Ex™
P O Box 1010, 145 Harts Road
Palmerston North
Ph: 06 354 6060
Fax: 06 355 3199
E-Mail: sales@In-Ex.co.nz

YOUR SAFETY IS In-Ex's PRIMARY CONCERN

- **It is important that you understand that any loads or attachments whether fastened to or placed on a vehicle or ATV will alter the stability and handling characteristics of that vehicle or ATV.**
- **FAILURE TO FOLLOW THESE RULES CAN RESULT TO SEVERE INJURY OR DEATH TO OPERATORS OR BYSTANDERS.**
- **We take this opportunity to remind you about the simple, basic and common sense rules of safety when using spray tanks or other equipment.**
- **NEVER EXCEED THE LOAD LIMIT CAPACITY OF THE ATV OR OTHER VEHICLE.**
- **Spray tanks or other equipment must be filled to a level where the gross weight is within the load limit of the ATV or other vehicle.**
- **ALWAYS EXERCISE EXTREME CAUTION WHEN OPERATING EQUIPMENT, ESPECIALLY ON UNDULATING TERRAIN.**
- **Operators MUST BE AWARE that they have a responsibility to ensure that anyone using this equipment is familiar with the manufacturers safe operating instructions.**
- **PLEASE BE CAREFUL!**

SAFETY PRECAUTIONS

Before attempting to install or operate the equipment, read and understand the manual thoroughly. Failure to comply with this instruction constitutes improper use and will invalidate the warranty.

Throughout this manual there are highlighted text boxes containing warnings, cautions and notes.

Warnings are mandatory instructions to prevent serious injury or permanent damage.

Cautions are advisory instructions to ensure reliable operation of the equipment.

Notes are for convenient operation

Do not overload your spreader. The maximum permissible payload is 130 Kg. (3 bags of Urea)

Never use dirty product or product with stones or lumps.

Ensure that your towing vehicle is adequate for the task. The maximum tare weight is 190 Kg.

If using the spreader over hilly terrain the payload should be reduced to ensure that the spreader stability is not compromised.

Never allow anyone to ride on the spreader.

Keep the spreader in good condition. Cleanliness and maintenance are essential for safe and trouble free operation.

Never leave product in the hopper or store the spreader without cleaning it.

In-Ex Spreader 165

OWNER'S MANUAL

(Pt.No.2400-6945 Issue 3 Dated Dec 2010)

TABLE OF CONTENTS

2	Safety Precautions
3	Table of Contents
4	Description
	Specifications
	Order Information
	Warranty
5	Liability
	Operation
	Calibration
6	Magnesium Oxide
	Operating the Spreader
	Adjusting the Spread Pattern
7	Fitting the Rain Cover
	Maintenance
	Before Use
	After Each Use or Daily when in Use
	Hints
8	Parts Diagram
8	Parts List

DESCRIPTION

The In-Ex Spreader 165 is a ground-driven spreader designed for application of pelleted fertilisers. It can also be used for application of other products such as grass seed and magnesium oxide. The uniquely designed 165-litre translucent non-corrosive polyethylene hopper is specially profiled for good product flow and ease of filling. A high-quality stainless steel agitator and shutter ensures even flow of product to the spinner. A unique spinner design ensures wide, even spread of product over 180 degrees (Urea). The heavy-duty galvanised frame is fitted with chunky turf tyres as standard. The drive train uses high quality steel and a double sealed self-aligning bearing and heavy-duty gearbox for maximum durability. The drive can be disconnected using a convenient pin clutch. The dual control levers allow instant setting of product feed rate and product control.

Specifications

(Specifications subject to change without notice)

Dry Weight	80 Kg
Dimensions	W1340mm, H1275mm, L1400mm
Capacity	165 litre (130Kg Urea)
Drive	Ground driven (single wheel)
Wheels	18x950x8 Chunky turf tyres
Tyre Pressure	12 PSI
Clutch	Removable Pin
Control	Adjustable stainless steel slide with index handle
Agitator	Mechanical arm, stainless steel
Spinner	Galvanised steel with three-position adjustable vanes
Hopper	Non-corrosive polyethylene, ergonomically designed for ease of filling and inspection
Hopper Cover	Lightweight polypropylene fabric
Frame	Galvanised steel
Gearbox	Heavy duty with double sealed bearings
Gearbox oil	300ml SAE30
Axle Bearings	Sealed ball races
Axle grease	General Purpose
Application Rate	100Kg per hectare @ 10 kph (nominal, Urea)
Spread width	12M (nominal, Urea @ 15 Kph)
Towing speed	15 Kph (Maximum recommended)

Order Information

In-Ex Spreader 165 part number: 3006

WARRANTY

In-Ex warrants to the original purchaser that the equipment is sold free from defects in materials and workmanship for a period of 12 months from date of retail sale.

Accordingly, In-Ex undertakes to repair the equipment, or at our option replace, without cost to the original purchaser either for materials, parts or labour, any part which within the specified warranty period from time of delivery is found to be defective. PROVIDED that the equipment has been used for normal purposes in accordance with the instructions, and has not been subject to neglect, misuse or accident, and has not been repaired, serviced or dismantled by any person other than a service agent or person authorised by In-Ex.

The warranty does not extend to cover: consequential damage; repair or replacement of parts due to fair wear and tear; or damage resulting from neglect, misuse, accident or hireage. SPECIFICALLY the warranty excludes battery damage, damage arising from chemical attack, and units built to customers specifications.

All goods returned to In-Ex are freight paid by the **sender** and if subject to a warranty claim, **must** be accompanied by a completed warranty claim form. Warranty claim forms are available from In-Ex dealers.

LIABILITY

The maximum liability, which is accepted by In-Ex, is limited to replacement of faulty goods only. Every care has been taken in the manufacture of our goods but because use of the goods is outside the control of the manufacturer, the end user assumes all responsibility for the use. Neither the manufacturer nor retailer shall be liable for loss or damage resulting from use.

Any advice or recommendations given by In-Ex, its agents, or employees is given in good faith and based on the best information available to us. No liability or responsibility is accepted or implied as a result of any information or advice tendered by In-Ex, its agents or employees. The end user accepts all responsibility arising from that advice.

OPERATION

The product to be spread is placed in the hopper. When the spreader is towed forward, the right hand wheel drives through the pin clutch and gearbox to turn the spinner in a clockwise direction. When the shutter handle is pulled forward, the shutter at the bottom of the hopper rotates to an open position. The size of the opening is set by a shutter stop lever, which locates into one of nine pre-set positions.

An extension of the spinner boss is connected to a stainless steel agitator arm inside the bottom of the hopper. The agitator ensures that product flows continuously out of the hopper to the spinning disk.

A delivery chute on the bottom of the hopper ensures that product is delivered to the correct spot of the disk so that the deflectors distribute the product over a wide angle behind and to each side of the spreader.

The drive from the wheel to the gearbox may be disengaged by removing a pin from the axle. The pin may then be stowed by inserting it into a holder on the side of the frame.

A fabric hopper cover with an elastic band sewn into the outer edge to grip the lip of the hopper can be fitted to prevent rain and debris from entering the hopper.

Urea application rate guide (kg/ha)

Flow Plate Setting	Speed 10kph, track spacing 10m	Speed 15kph, track spacing 15m
1	5	2
2	15	10
3	30	15
4	65	30
5	100	50

CALIBRATION

Check the application rate using the following formula:

$$\text{Rate (Kg/ha)} = \frac{\text{Product applied (Kg)} \times 10,000}{\text{Distance travelled (metres)} \times \text{spread width (metres)}}$$

Adjust either the Shutter Stop Lever or the speed of travel until the desired application rate is achieved.

NOTE

Because of variations in product characteristics, speedometer calibration and driving speed, the information in the calibration guide should be regarded as a starting point only. It is recommended that the spreader be calibrated before use.

OPERATING THE SPREADER

When the spreader has been correctly calibrated, the hopper may be filled to the required level and spreading commenced.

To reduce agitator damage to product and to ensure that product is not forced past the agitator shaft when towing the spreader to the area to be treated, the drive to the gearbox should be disconnected by removing the pin from the drive axle until spreading is to be commenced. The pin can be stowed by inserting it through a receptacle provided on the right hand side of the hopper frame.

WARNING

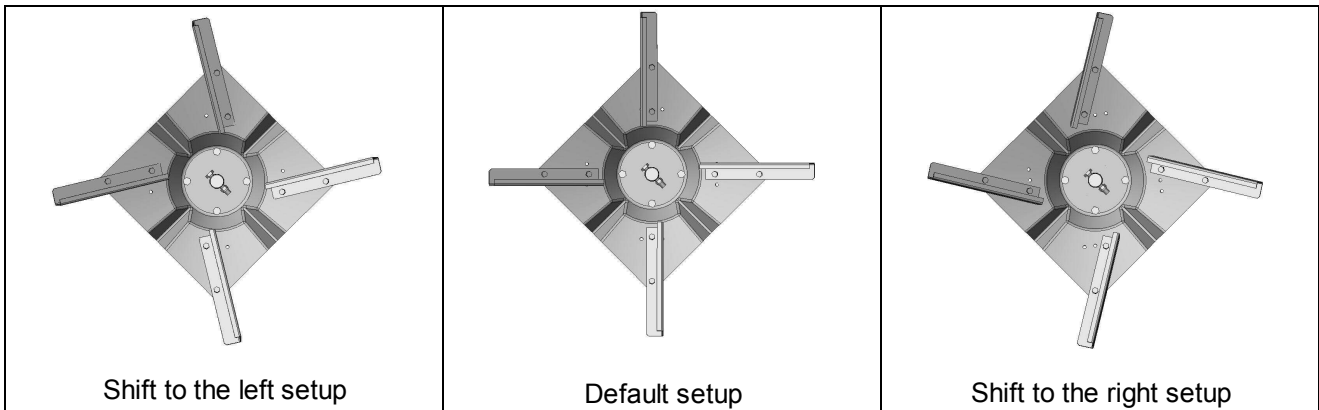
To prevent damage to the spreader do not tow the spreader at speeds in excess of 15 Kph.

To prevent inadvertent operation of the shutter while the spreader is in transit it is recommended that the Shutter Stop Lever be moved to Position 1 to lock the shutter closed.

To prevent the shutter from vibrating closed when the spreader is operated over rough ground, the Shutter Control Handle friction may be increased by tightening the adjustment nut at the bottom of the Handle.

Adjusting the Spread Pattern

The spreader has been set up for spreading pelletised fertiliser. When spreading lighter products or products with a high powder content it may be necessary to adjust the deflectors on the spinner to centralise the spread pattern. To shift the pattern to the left (facing forward) the inside end of the vanes should be moved anti-clockwise. To shift the pattern to the right (facing forward) the inside end of the vanes should be adjusted clockwise. These positions are highlighted in the diagram on the following page.



Fitting the Rain Cover

The rain cover is permanently fitted via an aluminium bracket mounted on the back of the spreader. To fit the rain cover to the hopper, pull the cover over the top of the spreader and pull the (bungee) cord down over the lugs mounted on the frame.

MAINTENANCE

The following maintenance actions are mandatory for reliable use of the spreader.

Before Use

Check the tyre pressures and charge with air as required. The correct pressure is 12 psi. (80 Kpa)

Remove the gearbox drive pin and turn the spinner by hand to ensure that it is free to turn without interference.

Check the hopper to ensure that no debris is inside.

If the spreader has not been used for some time, grease the bearings (pay particular attention to the pin clutch bearing).

Check the gearbox for leaks. If leaks are detected it will be necessary to drain and replenish the gearbox with 300ml of SAE 30 oil.

CAUTION

To replenish the gearbox the spreader may be inverted to place the filler plug uppermost. However in doing so extreme care must be taken to prevent damage to the spinner and deflectors.

After Each Use or Daily when in Use

Remove all traces of product from the spreader by brushing or washing. Pay particular attention to areas where product has accumulated and built up. Remove by scraping if necessary taking care not to damage the surface finish of the spreader or its components.

If washing do not direct high-pressure water onto the gearbox, axle or wheel bearing seals.

After washing, grease the bearings (three places) and apply water displacing fluid such as WD 40 or LPS3 to all metal parts.

Check for damaged or worn components and replace as required.

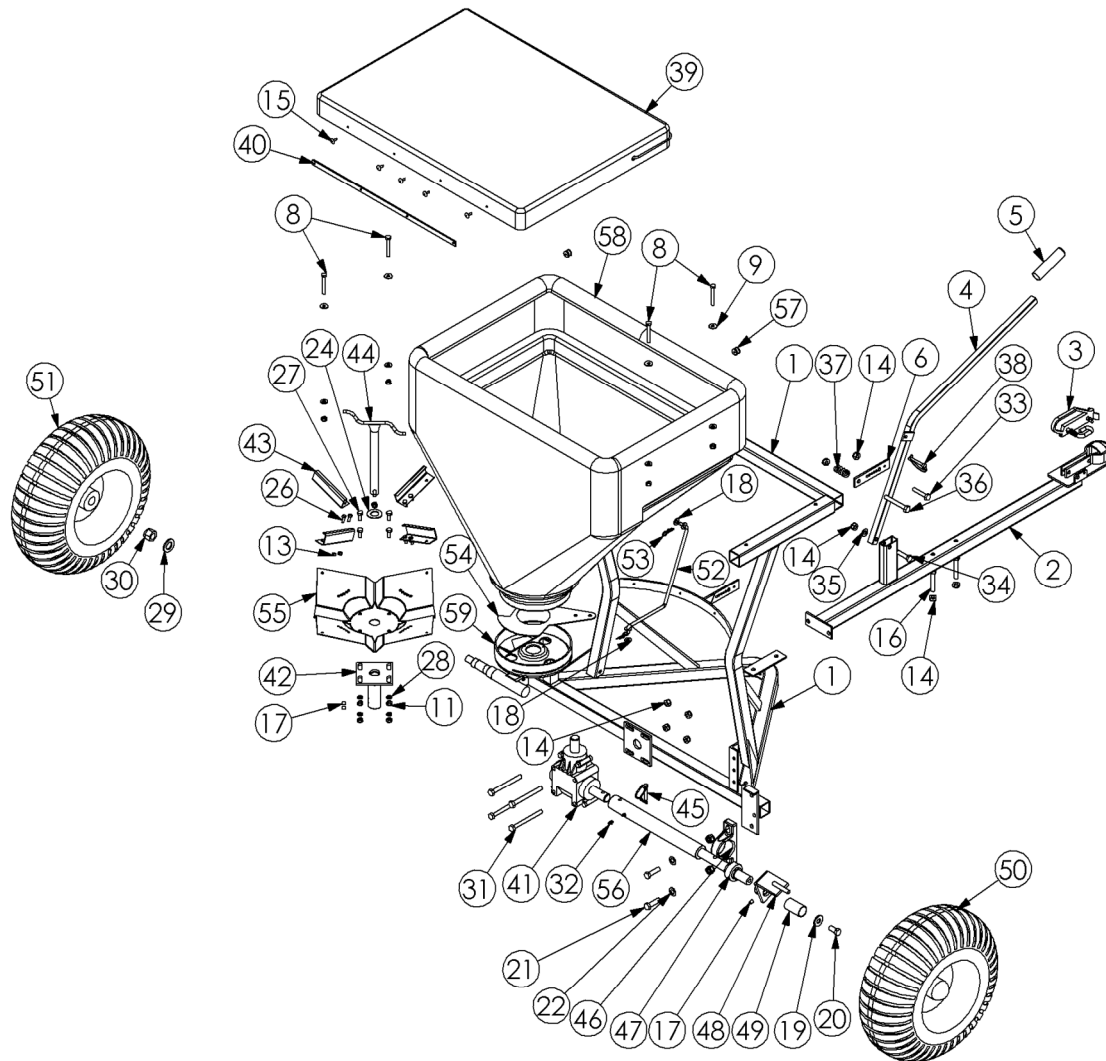
HINTS

When greasing the pin clutch bearing in the axle assembly, leave the pin in place. This will assist the grease to fully enter the scroll in the axle and prevent the axle from being displaced if the bearing housing should be over pressurised with grease.

If the drive axle is removed from the axle housing for any reason care must be taken to ensure that both the axle scroll and bronze bush are clean and free of debris before reassembly.

To remove the agitator from the hopper knock out the roll pin or remove the bolt, which attaches the agitator shaft to the spinner flange assembly then withdraw the agitator from inside the hopper.

Parts Diagram



Item No.	e9 part no	e9 description	QTY.
1	3500-5305	Frame-Spreader-MM/In-Ex 165L-GL	1
2	2550-8203	Drawbar-Spreader 165L/Magmaster 165-GL	1
3	8800-3800	Tow-Coupling-Handle-Double Ended-1 7/8" x 50mm-ZP	1
4	4050-8105	Handle-Spreader 165L/Mag 165-ZP	1
5	3865-3800	Grip-Handle-7/8"-PVC-Black-Plastic	1
6	6500-4201	Profiled-Index-Plate-MAG/130L/165L Spreader-ZP	1
7	3010-5200	Fastener-Grub Screw-Socket Head-3/8x3/8-Stainless	1
8	2810-0860	Fastener-Bolt&Nut-Hex-304 Grade-M8x60-Stainless	4
9	3310-2809	Fastener-Washer-Flat-M8x22x1.5-Grade 316-Stainless	4
10	3310-6008	Fastener-Washer-Flat-M8-ZP	4
11	3170-0008	Fastener-Nut-Nyloc-M8-ZP	9
12	3170-0012	Fastener-Nut-Nyloc-M12-ZP	2
13	3170-0006	Fastener-Nut-Nyloc-M6-ZP	8
14	3170-0010	Fastener-Nut-Nyloc-M10-ZP	9
15	3240-0015	Fastener-Rivet-Blind-Truss Head-3/16x15mm-Aluminium	5
16	2840-1065	Fastener-Bolt&Nut-Hex-8.8 Grade-M10x65-ZP	2
17	3010-0810	Fastener-Grub Screw-Socket Head-M8x10-Stainless	3
18	3310-6008	Fastener-Washer-Flat-M8-ZP	2
19	3310-5012	Fastener-Washer-Flat-Heavy-M12x32x3-Galv	1
20	3290-1225	Fastener-Set Screw-Hex-8.8 Grade-M12x25-ZP	1
21	3290-1240	Fastener-Set Screw-Hex-8.8 Grade-M12x40-ZP	2
22	3310-6012	Fastener-Washer-Flat-M12-ZP	2
23	3330-8012	Fastener-Washer-Spring-M12-ZP	2
24	3310-9720	Fastener-Washer-Flat-7/8"x1 5/8"x1.6-Grade 304-Stainless	1
25	3290-0850	Fastener-Set Screw-Hex-8.8 Grade-M8x50-ZP	1
26	3290-0616	Fastener-Set Screw-Hex-8.8 Grade-M6x16-ZP	8
27	3290-0820	Fastener-Set Screw-Hex-8.8 Grade-M8x20-ZP	4
28	3330-8008	Fastener-Washer-Spring-M8-ZP	4
29	3310-5021	Fastener-Washer-Flat-M20x39x3-Axle-ZP	1
30	9200-9001	Wheel-Sundry-Nut-Stub Axle-3/4"UNF-Nyloc-ZP-(With Wheel)	1
31	2840-1110	Fastener-Bolt&Nut-Hex-8.8 Grade-M10x110-ZP	4
32	5270-1014	Nipple-Grease-1/4UNF-Short-ZP	2
33	3290-1050	Fastener-Set Screw-Hex-8.8 Grade-M10x50-ZP	1
34	3290-1040	Fastener-Set Screw-Hex-8.8 Grade-M10x40-ZP	1
35	3310-6010	Fastener-Washer-Flat-M10-ZP	2
36	2840-1080	Fastener-Bolt&Nut-Hex-8.8 Grade-M10x80-ZP	1
37	8250-1800	Spring-Compression-Crinkle Plate-ZP	1
38	6100-4820	Pin-Locking-6x50mm-ZP	1
39	2250-4150	Cover-Hopper-Silver Fabric-Spreader130/165	1
40	5245-4000	Mount-Hopper Cover-Spreader 130L/165L/Magmaster 165-AL	1
41	3800-2000	Gearbox-Ferroni-RV12-2-6-Ratio 1 to 3.25	1
42	8200-5305	Spinner-Mount-Spreader 165L/Magmaster 165-ZP	1
43	8910-8000	Vane-Spinner-Spreader 130L/165L/Magmaster 165-GL	4
44	1036-8223	Agitator-Spreader-165L/Magmaster 165-SS	1
45	6100-4840	Pin-Locking-8x45mm-Snapon Pipe-ZPG	1
46	1140-4000	Bearing-Housing-Pillow Block-Drive Axle-Spreaders	1
47	1140-1200	Bearing-Ball-Pillow Block-Drive Axle-Spreaders	1
48	1300-4100	Bracket-Drive-Spreaders-ZP	1
49	2250-1000	Cover-Axle Shaft-Spreader 130L/165L/Magmaster-PVC	1
50	9200-8600	Wheel-Turf-Bearing-18x750x8-Tubeless	1
51	9200-8600	Wheel-Turf-Bearing-18x750x8-Tubeless	1
52	5050-7903	Linkage-Shutter-165L/Magmaster 165-ZP	1
53	2050-7300	Clip-R Type-Pin-2.5MM-ZP	2
54	6500-7770	Profiled-Shutter-CDIT300/400, 165L-Spreader-Stainless	1
55	8200-2100	Spinner-Disc-CDIT300/400-GL	1
56	5200-6700	Machined-Axle-Gearbox Drive-Magmaster-Black	1
57	1455-8800	Button-Ute Cover-Bungy Cord Retain-Black-Plastic	2
58	7500-2105	Rota-Hopper-Spreader-165L-Natural-MDPE-In-Ex	1
59	7500-2830	Rota-Spout-Spreader-CDIT400GT-Yellow-MDPE	1